

M362 - PASADOR UÑA / SLIDING BOLT

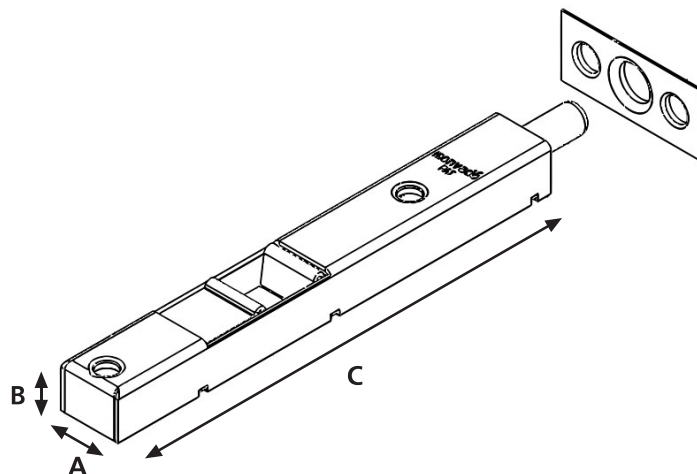


Acabados / Finished

Hierro Latonado / Brassed Iron

Hierro Niquelado / Nickelled Iron

Acero Inoxidable / Stainless steel



Modelo	A	B	C	UNIT
M362 - HL	13 mm	10 mm	100 mm 120 mm 160 mm	1/20
M362 - HN	13 mm	10 mm	100 mm 120 mm 160 mm	1/20
M362 - INOX	13 mm	10 mm	100 mm 120 mm 160 mm	1/20