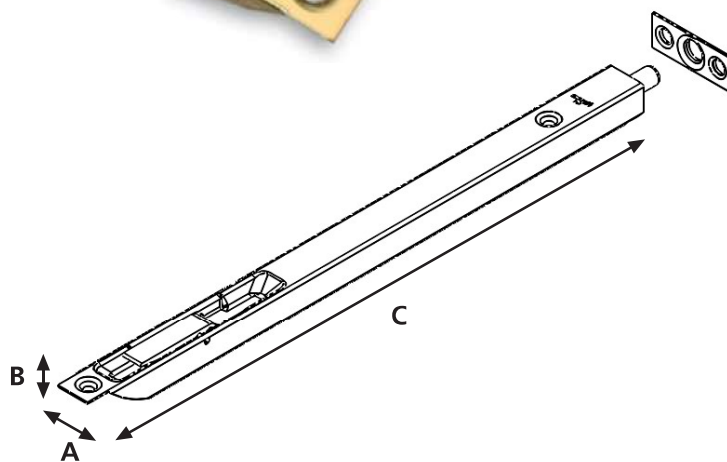


M371 - PASADOR PALANCA EMBUTIR / FLUSH LEVER BOLT



Acabados / Finished

H. Latonado	/	Brassed Iron
H. Niquelado	/	Nickelled Iron
H. Bronce Viejo	/	Bronze Iron
H. Zincado Negro	/	Black Zincado Iron
Latón	/	Brass



Modelo	A		B		C				UNIT
M371 - HL	16 mm	15 mm	150 mm	200 mm	250 mm	300 mm	400 mm	500 mm	1/20
M371 - HN	16 mm	15 mm	150 mm	200 mm	250 mm	300 mm	400 mm	500 mm	1/20
M371 - HBV	16 mm	15 mm	150 mm	200 mm	250 mm	300 mm	400 mm	500 mm	1/20
M371 - HZN	16 mm	15 mm	150 mm	200 mm	250 mm	300 mm	400 mm	500 mm	1/20
M371 - L	16 mm	15 mm	150 mm	200 mm	250 mm	300 mm	400 mm	500 mm	1/20