

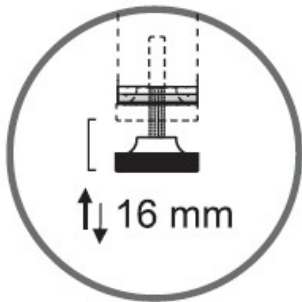
# ALUMINIO



100  
120  
150  
200  
300  
400  
800

80  
80  
80  
80  
80  
80  
80

40  
40  
40  
40  
40  
40  
40



↑↓ 16 mm